



Parts Manual

Mfg. No: 030225-0
BSQ1000

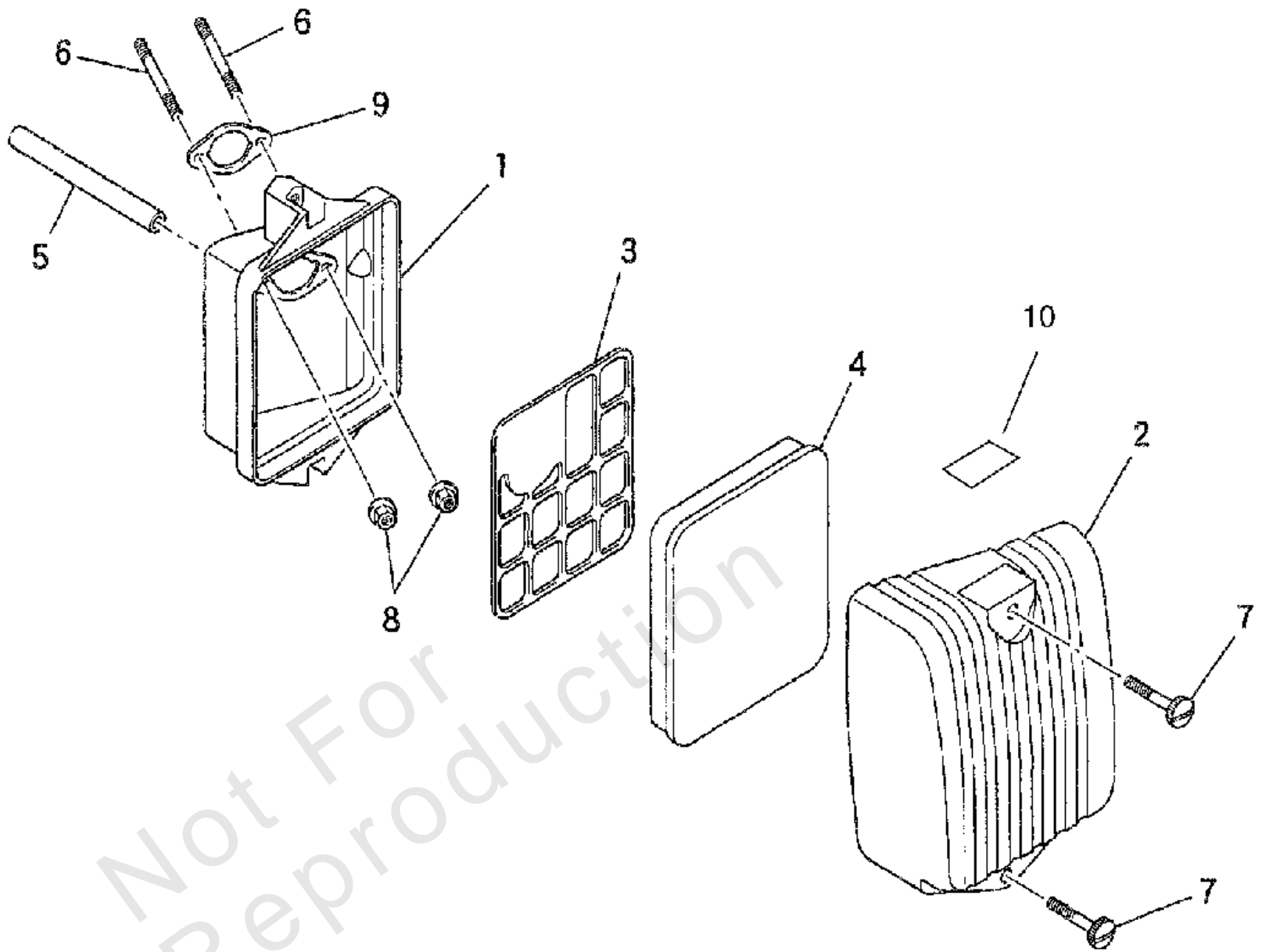
Model Components	Page
Air Cleaner.....	4
Carburetor.....	6
Control/Linkages.....	8
Crankcase Cover.....	10
Crankshaft/Camshaft.....	12
Cylinder Block.....	14
Cylinder Head.....	16
Enclosure.....	18
Fan Cover.....	22
Flywheel.....	24
Gasket Set.....	26
Lead Wires.....	28
Main Unit.....	30
Muffler.....	32
Oil Sensor.....	34
Piston/Rod.....	36
Recoil Starter.....	38
Torque Specification Chart.....	40

Not For
Reproduction

Air Cleaner

Note: Unless noted otherwise, use the standard torque specifications

Mfg. No: 030225-0



Air Cleaner

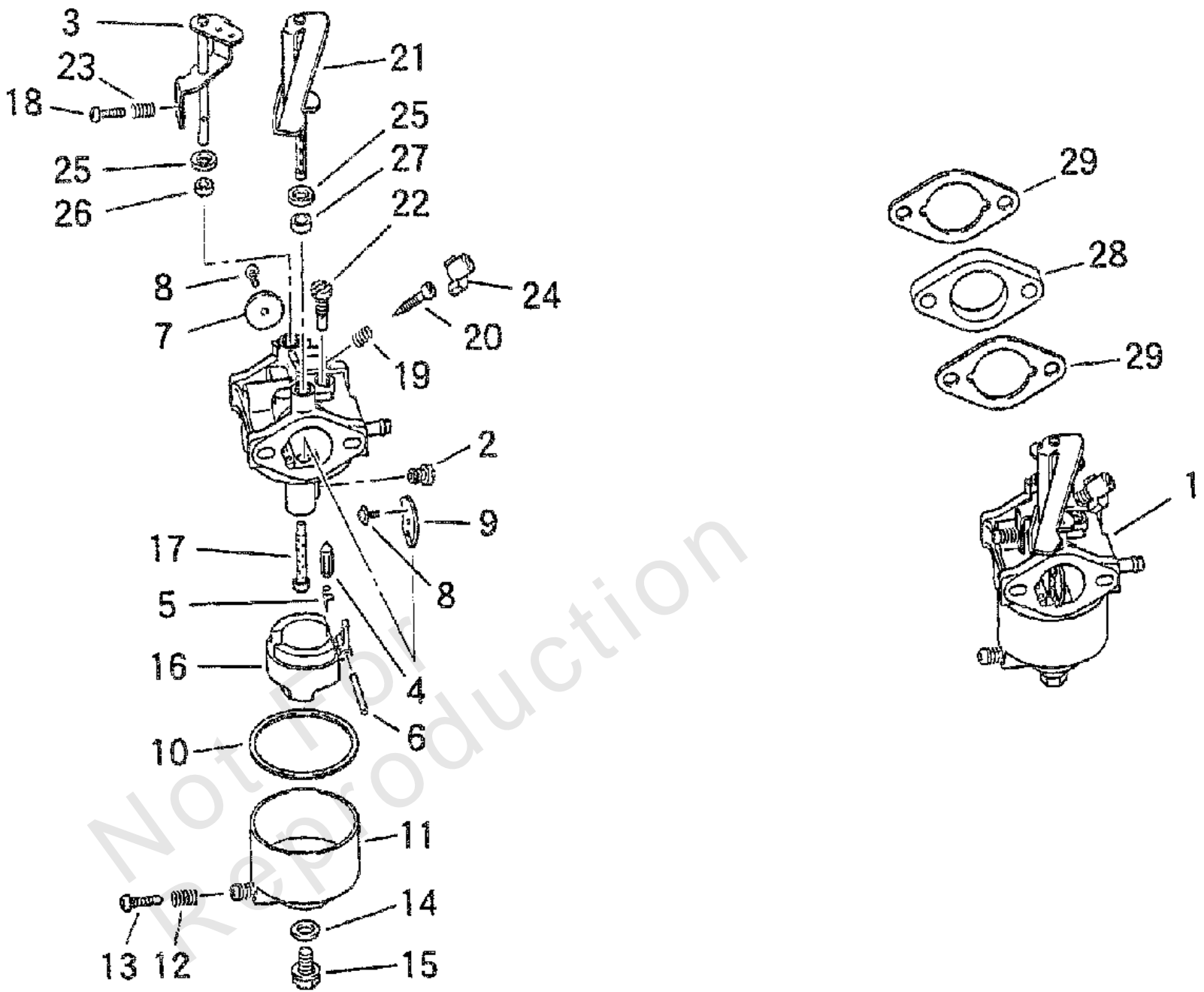
REF NO	PART NO	QTY	DESCRIPTION
1	187492GS	1	HSNG, AIR CLNR
2	187494GS	1	CVR, AIR CLNR
3	187496GS	1	SPRT, AIR CLNR
4	187497GS	1	ELEMENT, AIR CLNR
5	187498GS	1	BRTHR, AIR CLNR
6	187500GS	2	STUD, AIR CLNR
7	187501GS	2	SCREW, AIR CLNR CVR
8	187503GS	2	NUT, AIR CLNR CVR
9	187504GS	1	GSKT, CARB
10	187576GS	1	DECAL, CHOKE

Not For
Reproduction

Carburetor

Note: Unless noted otherwise, use the standard torque specifications

Mfg. No: 030225-0



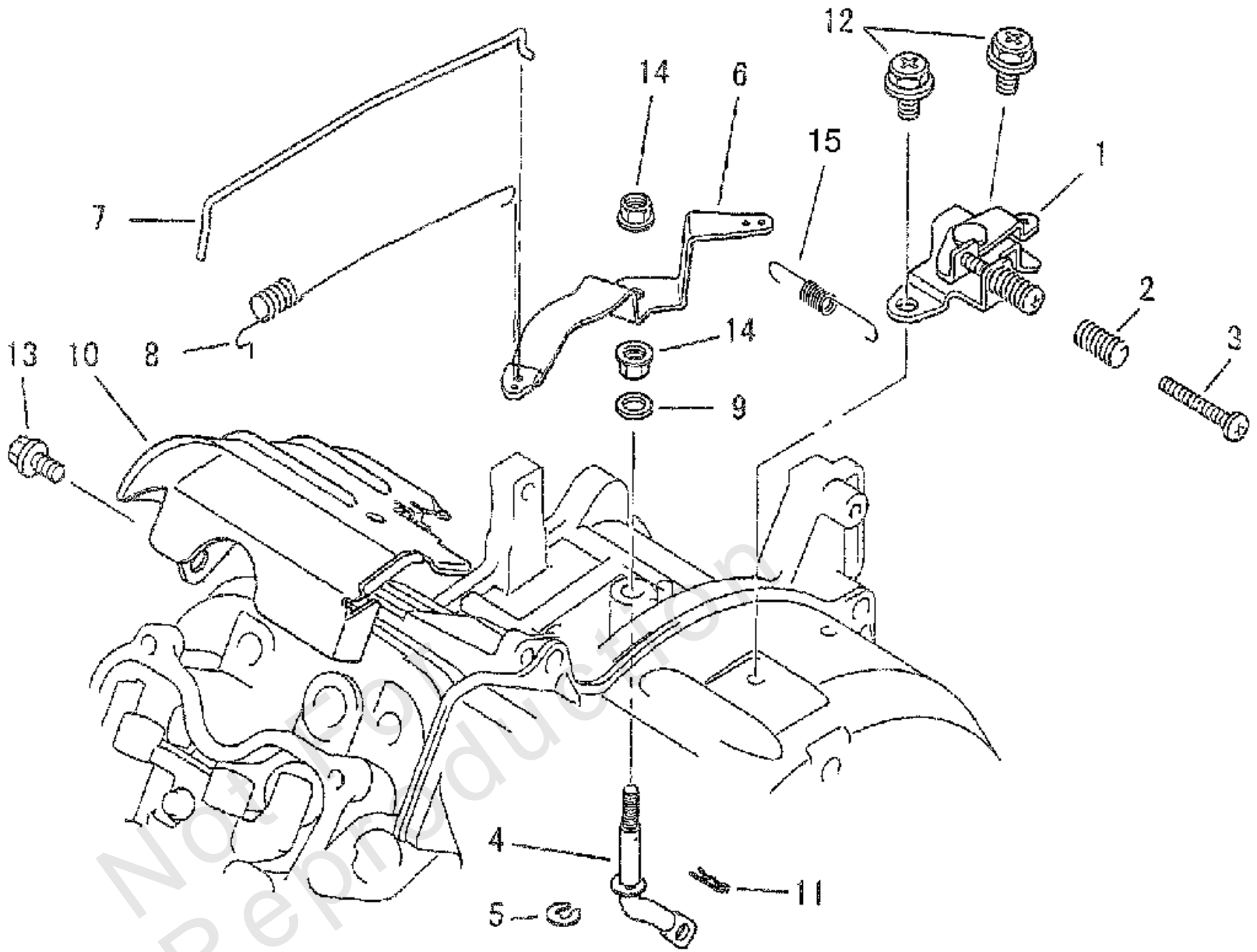
Carburetor

REF NO	PART NO	QTY	DESCRIPTION
1	187469GS	1	CARB, COMPLETE
2	187471GS	1	JET, MAIN
3	187476GS	1	SHFT,THROTTL
4	187480GS	1	VLV, NEEDLE
5	187482GS	1	CLIP, CARB
6	187483GS	1	PIN, CARB
7	187485GS	1	VLV,THRTTL
8	187491GS	3	HHCS, CARB
9	187493GS	1	VLV, CHOKE
10	187495GS	1	GSKT, CARB
11	187499GS	1	CHMBR, FLOAT
12	187502GS	1	SPRING, CARB
13	187509GS	1	HHCS, CARB
14	187511GS	1	GSKT, CARB
15	187525GS	1	BOLT, CARB
16	187536GS	1	FLOAT, CARB
17	187538GS	1	NZZL, MAIN, CARB
18	187542GS	1	HHCS, CARB
19	187502GS	1	SPRING, CARB
20	187547GS	1	ADJSTR, CARB
21	187548GS	1	LEVER, CHOKE
22	187549GS	1	JET, PILOT
23	187550GS	1	SPRING, CARB
24	187551GS	1	CAP, CARB
25	187552GS	2	PACKING, CARB
26	187553GS	1	SEAL, CARB
27	187554GS	1	SEAL, CARB
28	187556GS	1	INSLTR, CARB
29	187504GS	2	GSKT, CARB

Control/Linkages

Note: Unless noted otherwise, use the standard torque specifications

Mfg. No: 030225-0



Control/Linkages

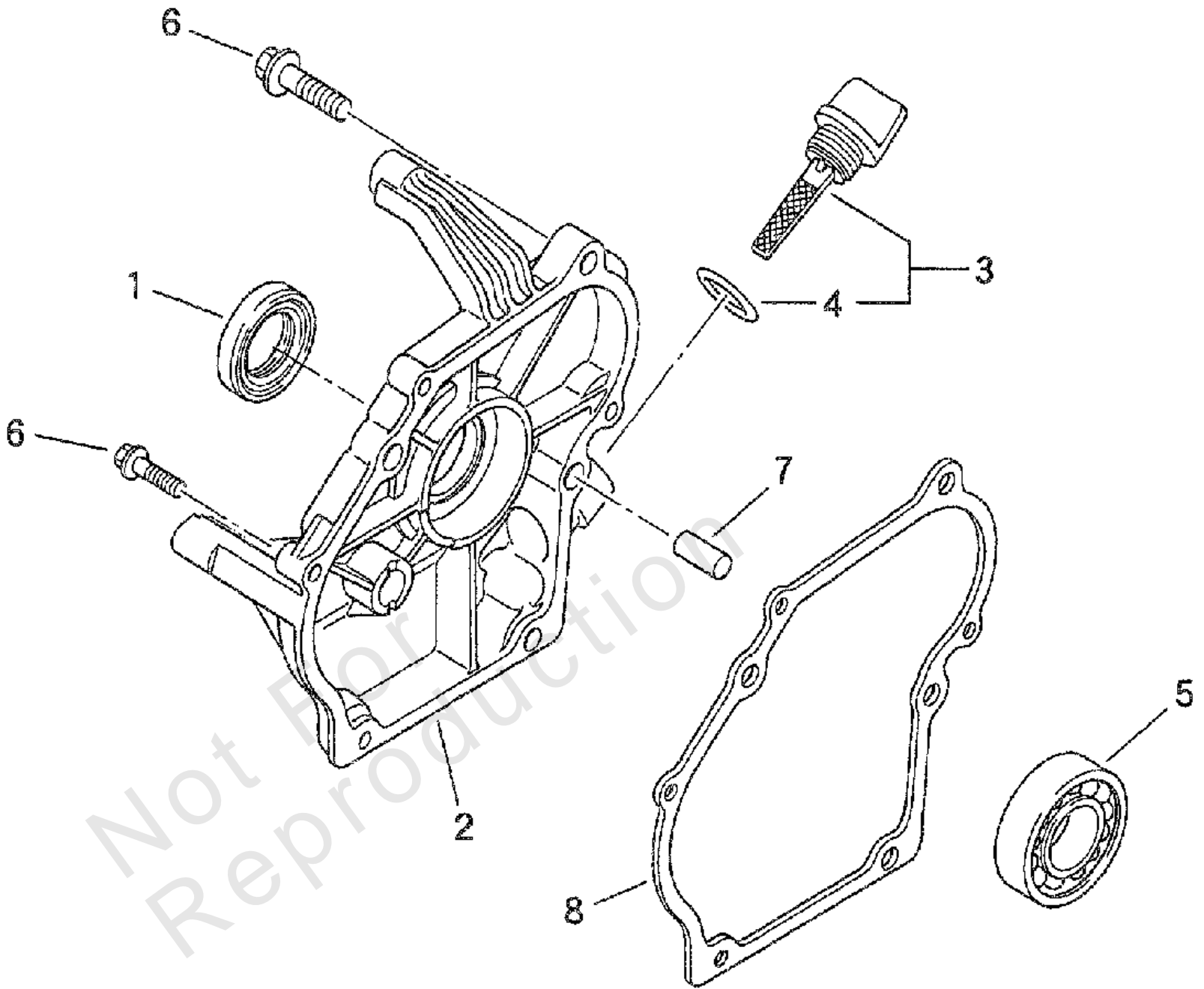
REF NO	PART NO	QTY	DESCRIPTION
1	187505GS	1	BRKT, SPEED CNTRL
2	187506GS	1	SPRING, SPEED CNTRL
3	187507GS	1	SCREW, SPEED CNTRL
4	187508GS	1	SHFT, GOV
5	187510GS	1	RING, SNAP, GOV ROD
6	187512GS	1	LEVER, GOV
7	187513GS	1	ROD, GOV
8	187514GS	1	SPRING, GOV LEVER
9	187515GS	1	WSHR, GOV LEVER
10	187516GS	1	CVR, TOP
11	187517GS	1	CLIP, GOV ROD
12	187518GS	1	BOLT, SPEED CNTRL BKT
13	187519GS	1	BOLT, TOP CVR
14	187520GS	2	NUT, GOV LEVER
15	187570GS	1	SPRING, GOV

Not For
Reproduction

Crankcase Cover

Note: Unless noted otherwise, use the standard torque specifications

Mfg. No: 030225-0



Crankcase Cover

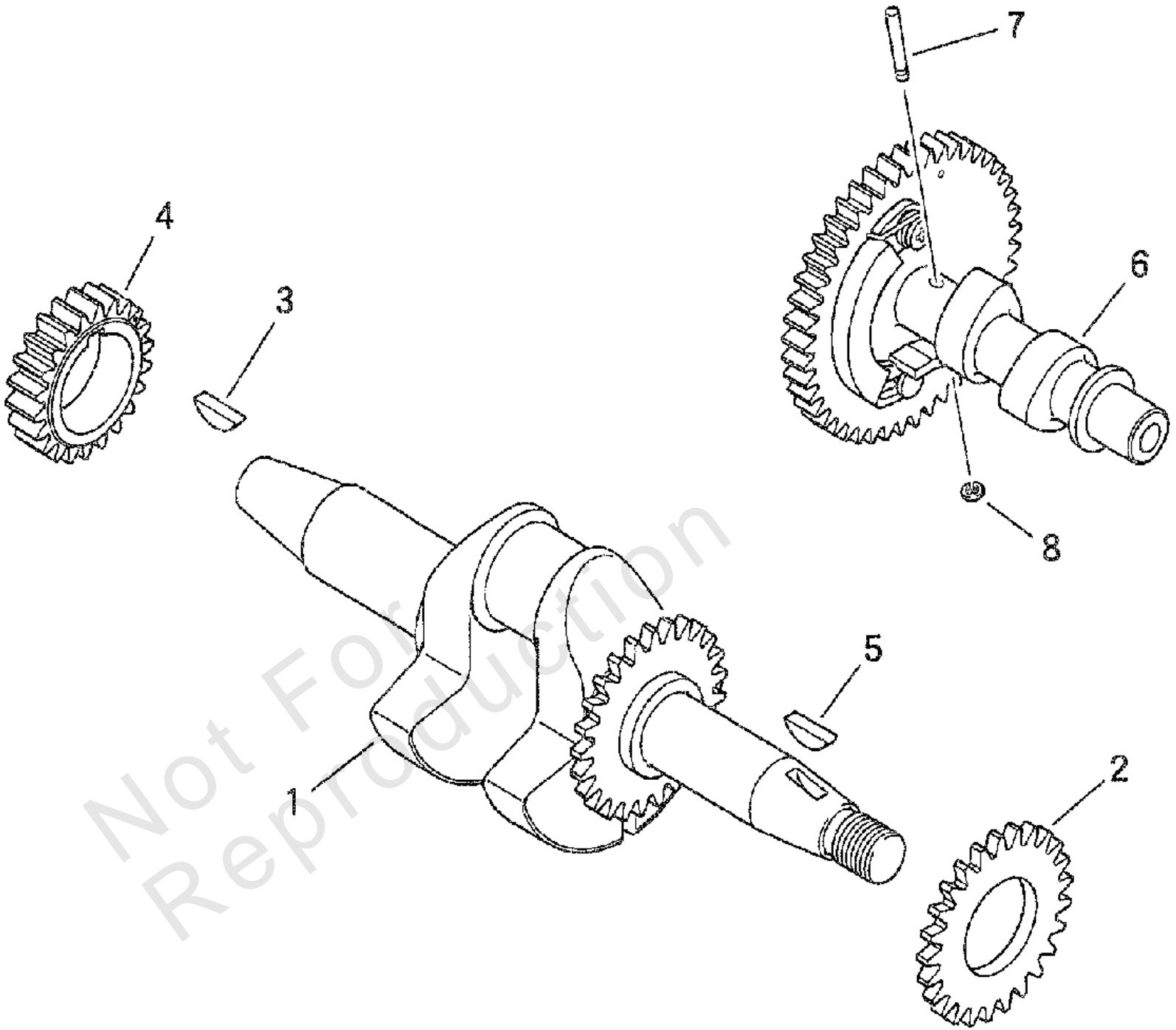
REF NO	PART NO	QTY	DESCRIPTION
1	187394GS	2	SEAL, OIL
2	187473GS	1	CVR, CRANKCASE
3	187474GS	1	DIPSTICK, OIL
4	187475GS	1	O-RING, DIPSTICK
5	187477GS	1	BRG, PTO
6	187478GS	6	BOLT, CRANKCASE CVR
7	187428GS	2	PIN, DWL
8	187479GS	1	GSKT, CRANKCASE CVR

Not For
Reproduction

Crankshaft/Camshaft

Note: Unless noted otherwise, use the standard torque specifications

Mfg. No: 030225-0



Crankshaft/Camshaft

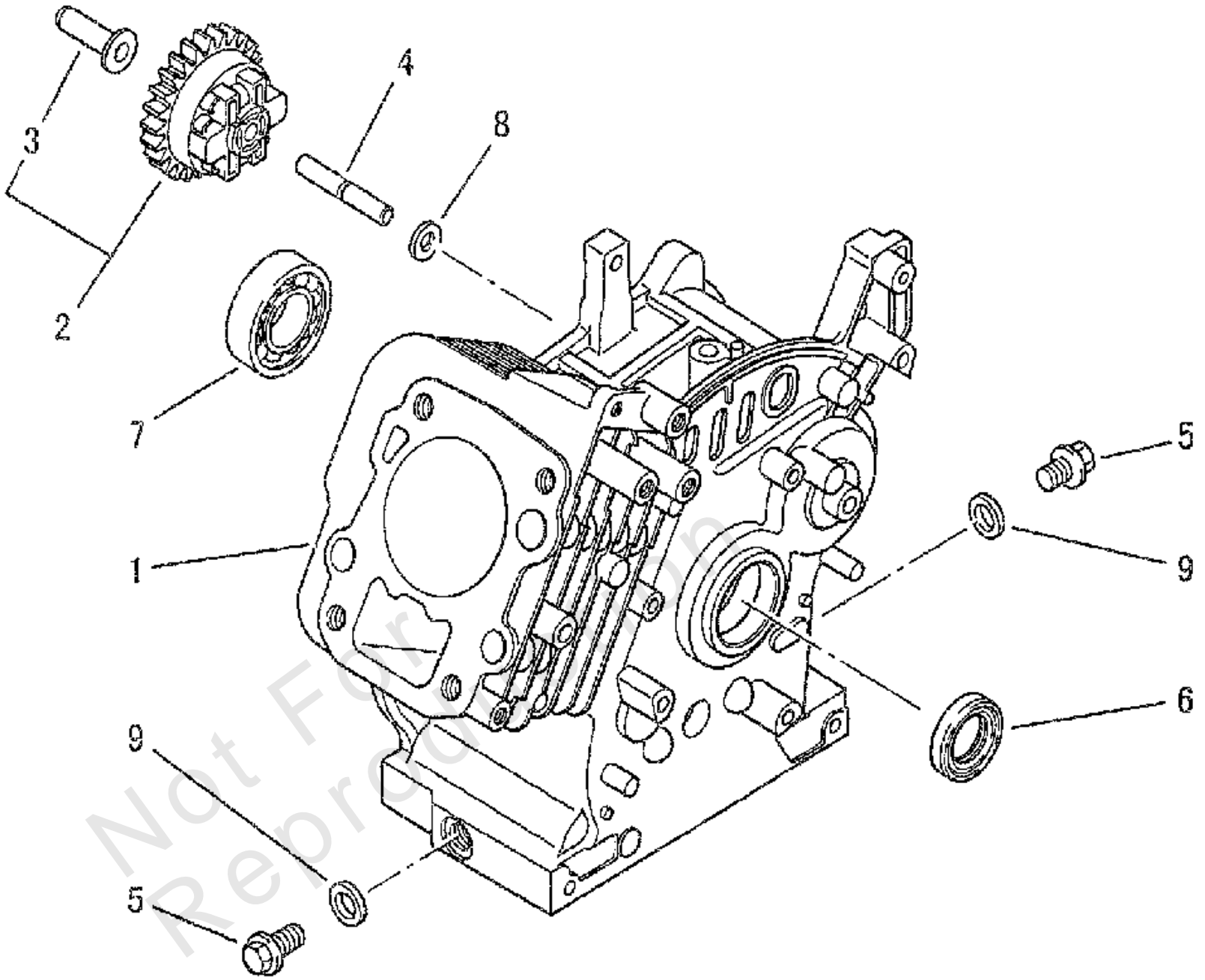
REF NO	PART NO	QTY	DESCRIPTION
1	187481GS	1	ASSY, CRNKSHFT
2	187484GS	1	GEAR, CRNKSHFT
3	187486GS	1	KEY,WOODRFF
4	187487GS	1	GEAR, CRNKSHFT
5	187486GS	1	KEY,WOODRFF
6	187488GS	1	ASSY,CAMSHAFT
7	187489GS	1	PIN, CMPR REL
8	187490GS	1	RNG, SNP, CMPRSSN REL

Not For
Reproduction

Cylinder Block

Note: Unless noted otherwise, use the standard torque specifications

Mfg. No: 030225-0



Cylinder Block

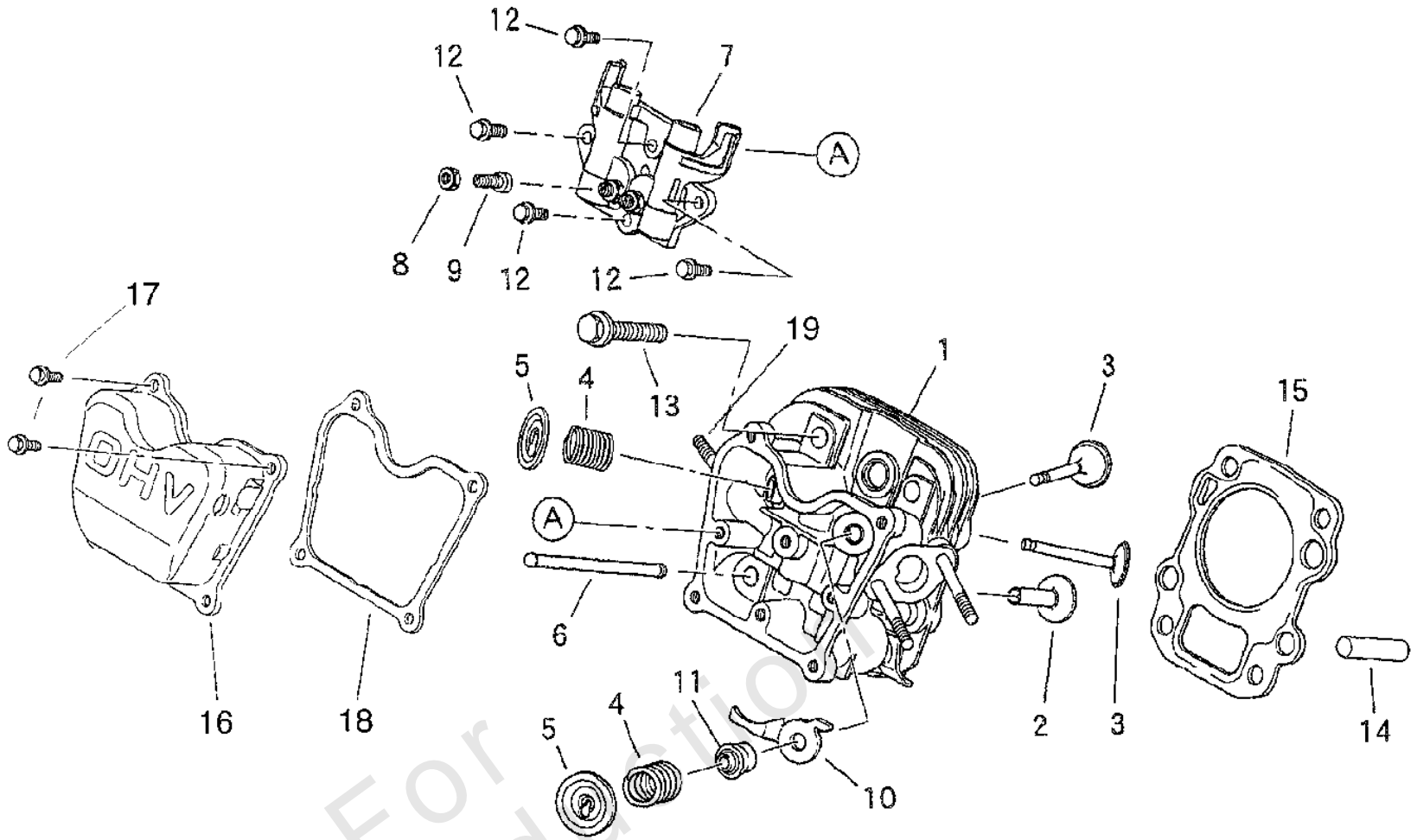
REF NO	PART NO	QTY	DESCRIPTION
1	187380GS	1	BLOCK, CYL
2	187386GS	1	ASSY, GOV, GEAR
3	187387GS	1	SLIDER, GOV
4	187391GS	1	SHFT, GOV
5	187393GS	2	PLUG, DRAIN
6	187394GS	2	SEAL, OIL
7	187395GS	1	BRG, BALL
8	187400GS	1	WSHR, CYLBLOCK
9	187402GS	2	GSKT, CYLBLOCK

Not For
Reproduction

Cylinder Head

Note: Unless noted otherwise, use the standard torque specifications

Mfg. No: 030225-0



Cylinder Head

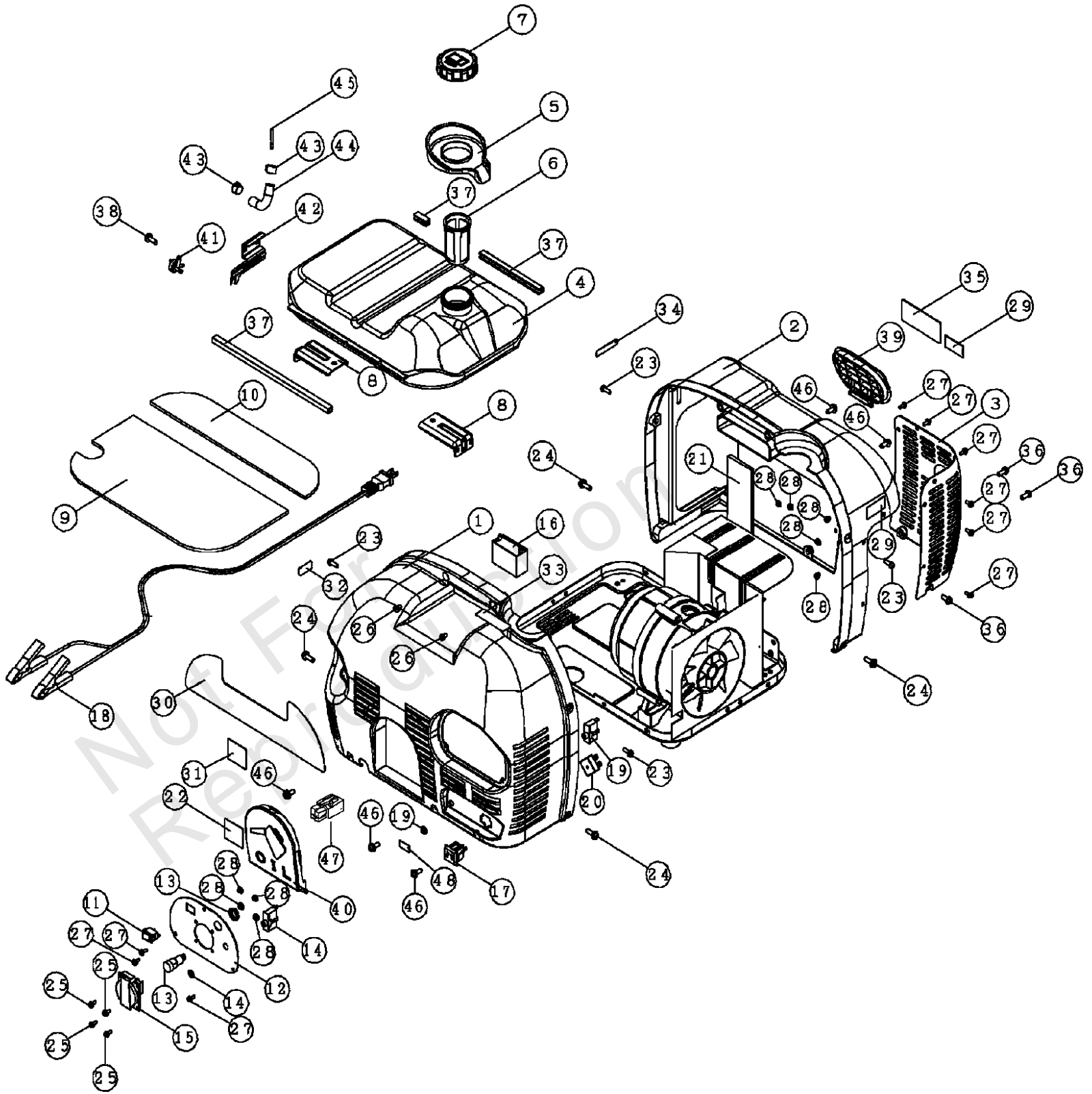
REF NO	PART NO	QTY	DESCRIPTION
1	187404GS	1	ASSY, CYL HEAD
2	187406GS	2	TPPT, CYL HEAD
3	187408GS	2	VLV, EXH
4	187410GS	2	SPRNG, VLV
5	187412GS	2	RTNR, VLV SPG
6	187414GS	2	ROD, PUSH
7	187416GS	1	ASSY, RCKR, ARM
8	187417GS	2	NUT, CYL HEAD
9	187418GS	2	SCRW, ADJST
10	187421GS	1	PLT, CYL HEAD
11	187422GS	1	SEAL, VLV STEM
12	187423GS	4	BOLT, FLNG
13	187426GS	4	BOLT, FLNG
14	187428GS	2	PIN, DWL
15	187429GS	1	GSKT, HEAD
16	187468GS	1	CVR, VALVE
17	187470GS	4	BOLT, VALVE CVR
18	187472GS	1	GSKT, VALVE CVR
19	187569GS	2	BOLT, STUD

Not For
Reproduction

Enclosure

Note: Unless noted otherwise, use the standard torque specifications

Mfg. No: 030225-0



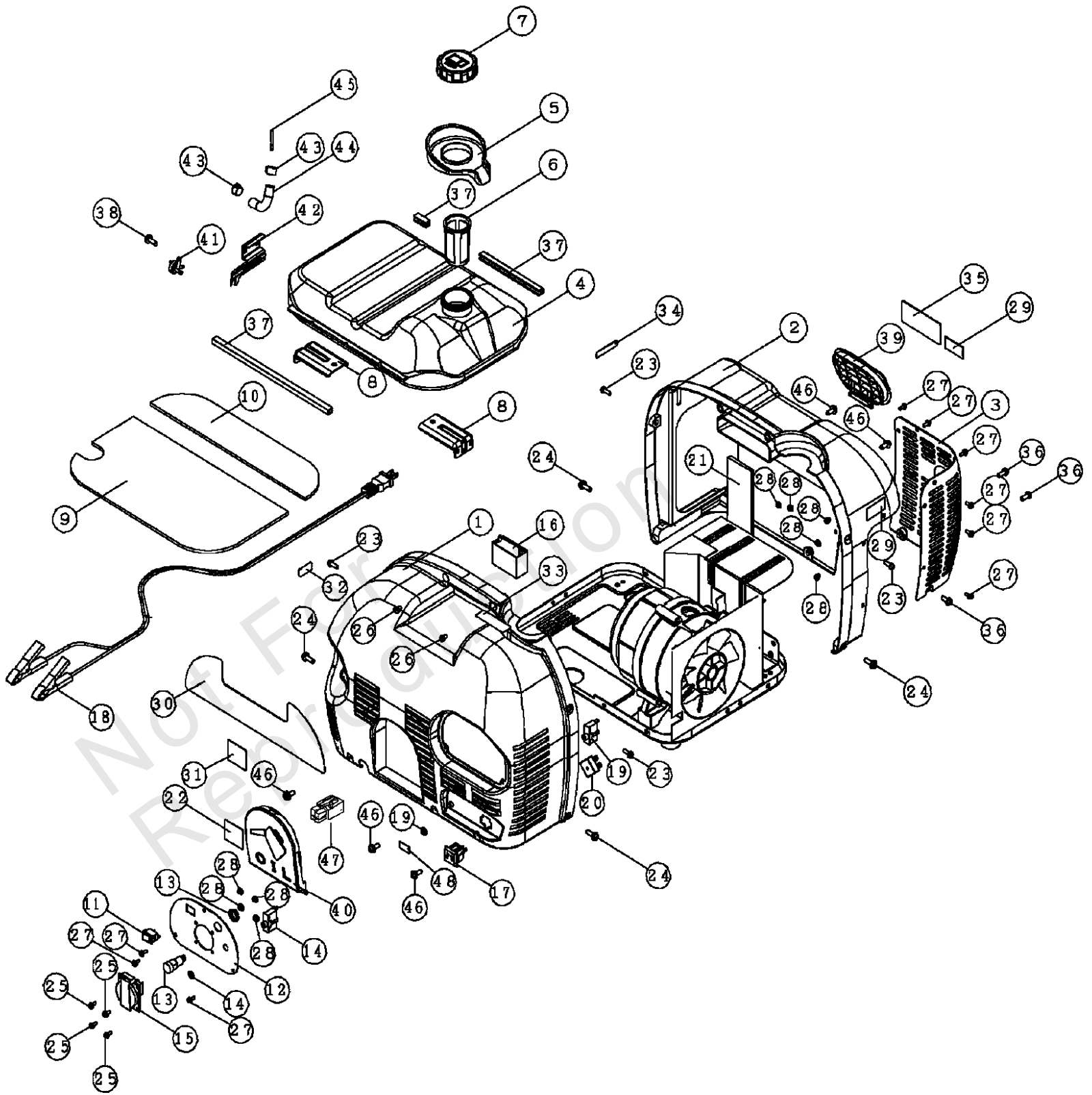
Enclosure

REF NO	PART NO	QTY	DESCRIPTION
1	187432GS	1	COVER, GENERATOR PANEL
2	187433GS	1	COVER, GENERATOR MUFFLER
3	187435GS	1	COVER, MUFFLER
4	187437GS	1	TANK, FUEL
5	187439GS	1	PACKING, TANK
6	187438GS	1	FILTER, FUEL INLET
7	187436GS	1	CAP, FUEL TANK
8	187442GS	2	BRACKET, TANK
9	187447GS	1	SPONGE, HEAT SHIELD -FOR TANK #1
10	187448GS	1	SPONGE, HEAT SHIELD -FOR TANK #2
11	187450GS	1	SWITCH, ENGINE
12	103165GS	1	PANEL, CONTROL (220V 60Hz)
13	102003GS	1	LAMP, PILOT (250V)
14	103166GS	1	BREAKER, CIRCUIT (4A 250V)
15	102005GS	1	RECEPTACLE, OUTLET (250V 16A)
16	102006GS	1	CONDENSOR (14 μ F 300V)
17	090418GS	1	DC OUTPUT
18	065787GS	1	BATTERY CHARGE CABLE
19	187460GS	1	BREAKER, CIRCUIT (10A 125V)
20	187462GS	1	BRIDGE DIODE
21	187463GS	1	HEAT SHIED SPONGE -FOR COVER MUFFLER
22	102007GS	1	LABEL, WARNING ELECTRICAL
23	187756GS	4	BOLT, COVER (M5-16)
24	187774GS	4	BOLT, COVER (M6-20)
25	187760GS	4	SCREW, PAN HEAD (M4-12) WITH FLAT
26	187759GS	2	BOLT,COVER (M5-10)
27	102008GS	9	SCREW, PAN HEAD (M4-12) WITH FLAT,LOCK
28	187761GS	10	NUT, HEX HEAD (M4X0.6) WITH FLANGE
29	102009GS	2	LABEL, WARNING EXHAUST
30	103167GS	1	LABEL, MODEL
31	187763GS	1	LABEL, CAUTION OIL
32	187764GS	1	LABEL, FUEL COCK
33	187765GS	1	LABEL, CAUTION FUEL
34	187766GS	1	LABEL, CHOKE
35	103168GS	1	LABEL, DATA
36	187775GS	3	BOLT, MUFFLER COVER (M6-16)
37	187769GS	3	U-PACKING
38	187770GS	1	SCREW, PAN HEAD (M5-10) WITH FLAT
39	187772GS	1	COVER, SPARK PLUG
40	187773GS	1	COVER, OIL FILLER
41	187443GS	1	FUEL COCK
42	187758GS	1	BRKT, FUEL COCK
43	187579GS	2	HOSE CLIP f14
44	187578GS	1	FUEL HOSE
45	187440GS	1	FILTER
46	187757GS	5	BOLT, COVER (M6-16)
47	103169GS	2	CONNECTOR
48	102012GS	1	LABEL, DC OUTPUT
	102784GS	1	OWNER'S MANUAL

Enclosure

Note: Unless noted otherwise, use the standard torque specifications

Mfg. No: 030225-0



Enclosure

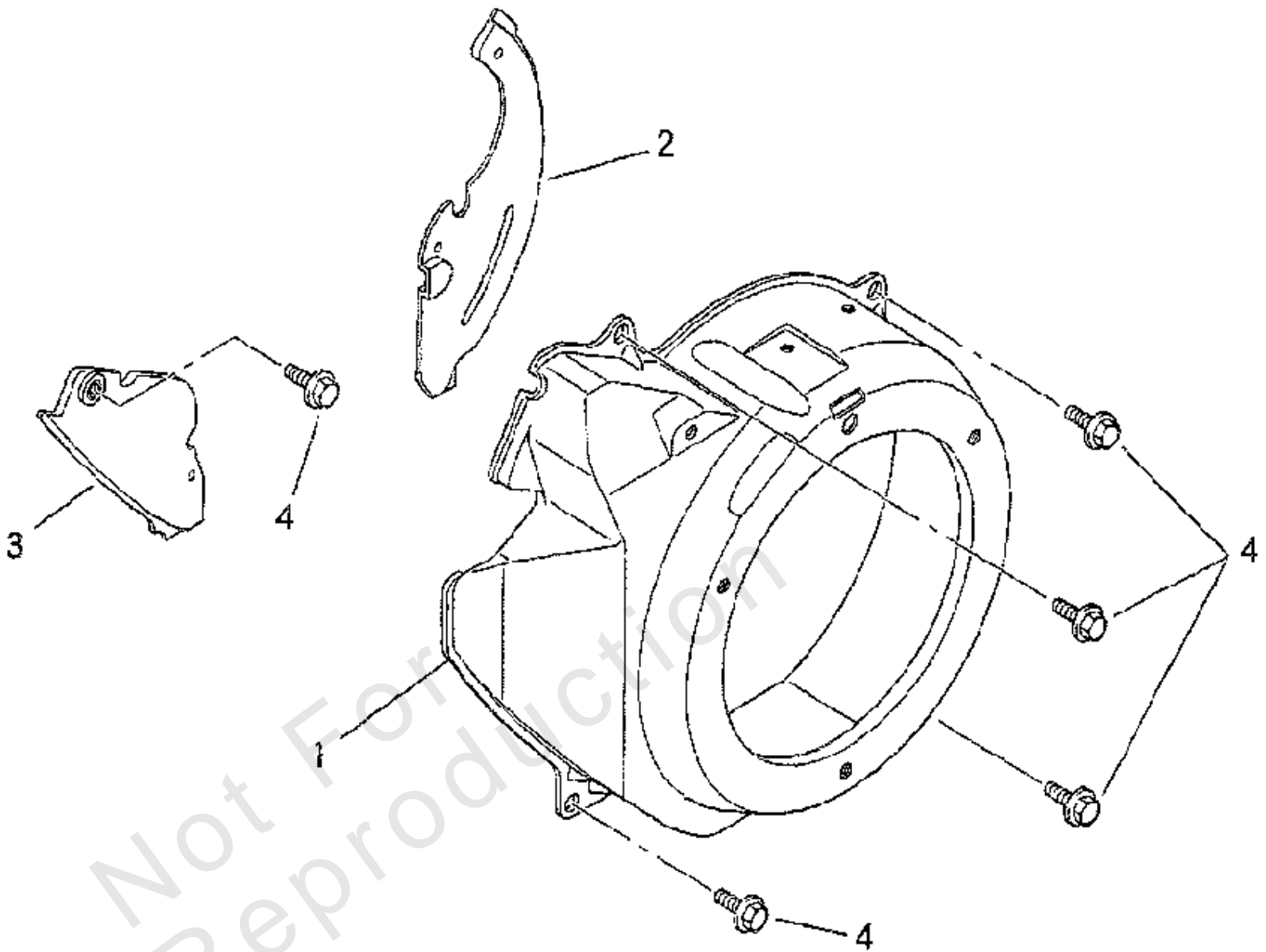
REF NO	PART NO	QTY	DESCRIPTION
	103170GS	1	OWNER'S MANUAL ADDENDUM -FOR 030225

Not For
Reproduction

Fan Cover

Note: Unless noted otherwise, use the standard torque specifications

Mfg. No: 030225-0



Fan Cover

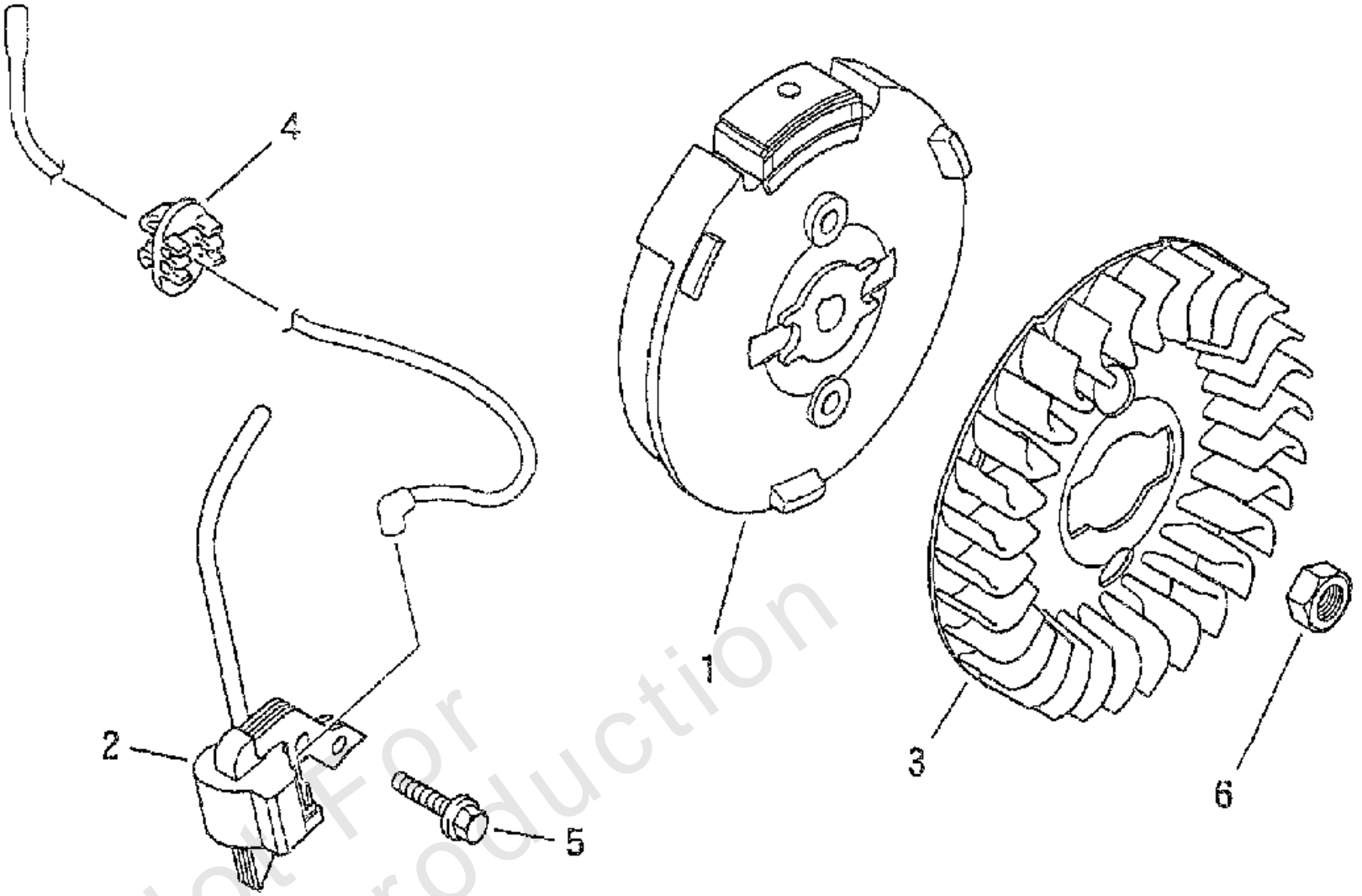
REF NO	PART NO	QTY	DESCRIPTION
1	187521GS	1	CVR, FAN
2	187522GS	1	CVR, FAN
3	187523GS	1	CVR, FAN
4	187524GS	4	BOLT, FAN CVR

Not For
Reproduction

Flywheel

Note: Unless noted otherwise, use the standard torque specifications

Mfg. No: 030225-0



Flywheel

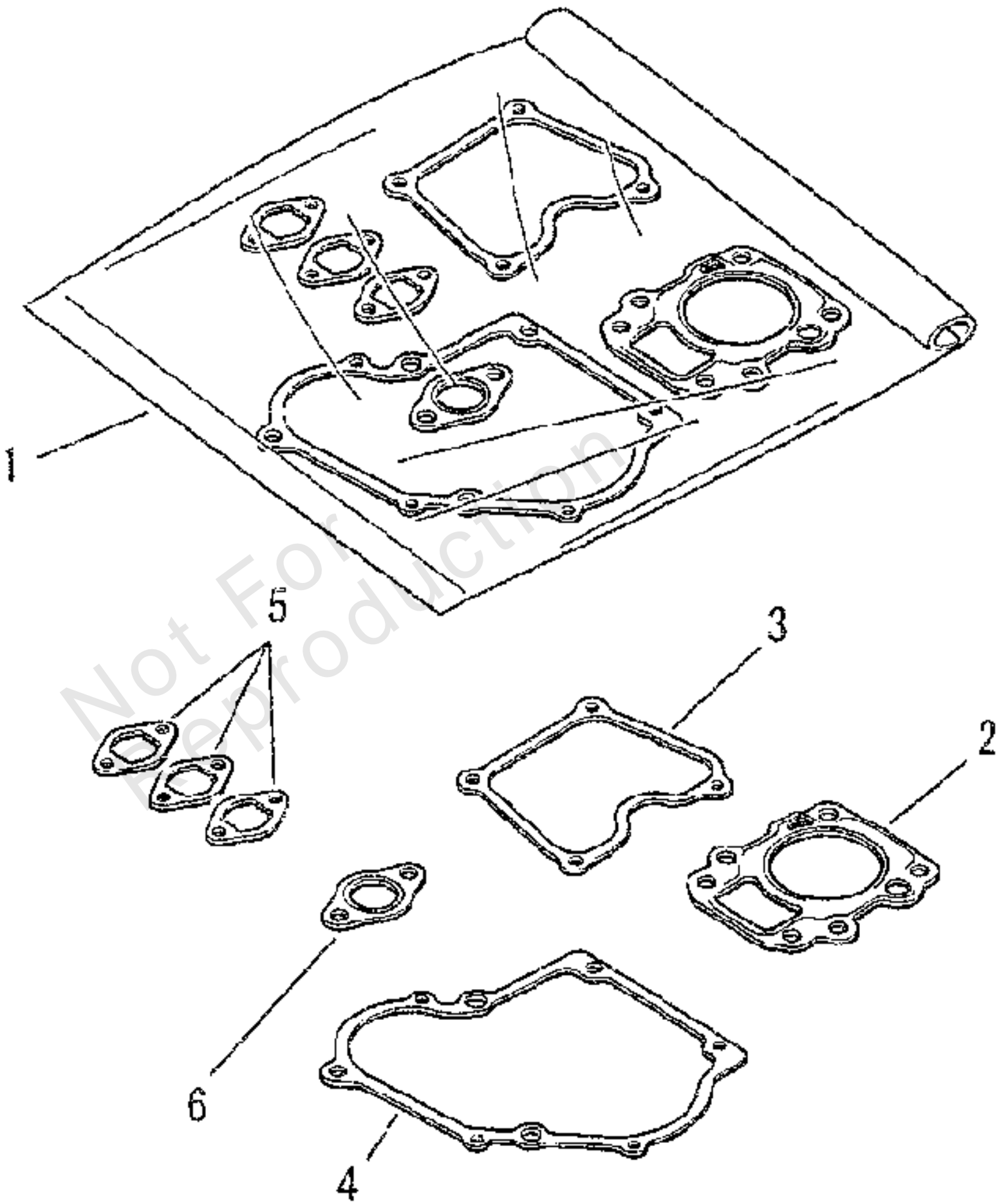
REF NO	PART NO	QTY	DESCRIPTION
1	187540GS	1	FLYWHL
2	187541GS	1	COIL, IGNITION
3	187543GS	1	FAN
4	187544GS	1	CLIP, MAGNETO
5	187545GS	2	BOLT, MAGNETO
6	187546GS	1	NUT

Not For
Reproduction

Gasket Set

Note: Unless noted otherwise, use the standard torque specifications

Mfg. No: 030225-0



Gasket Set

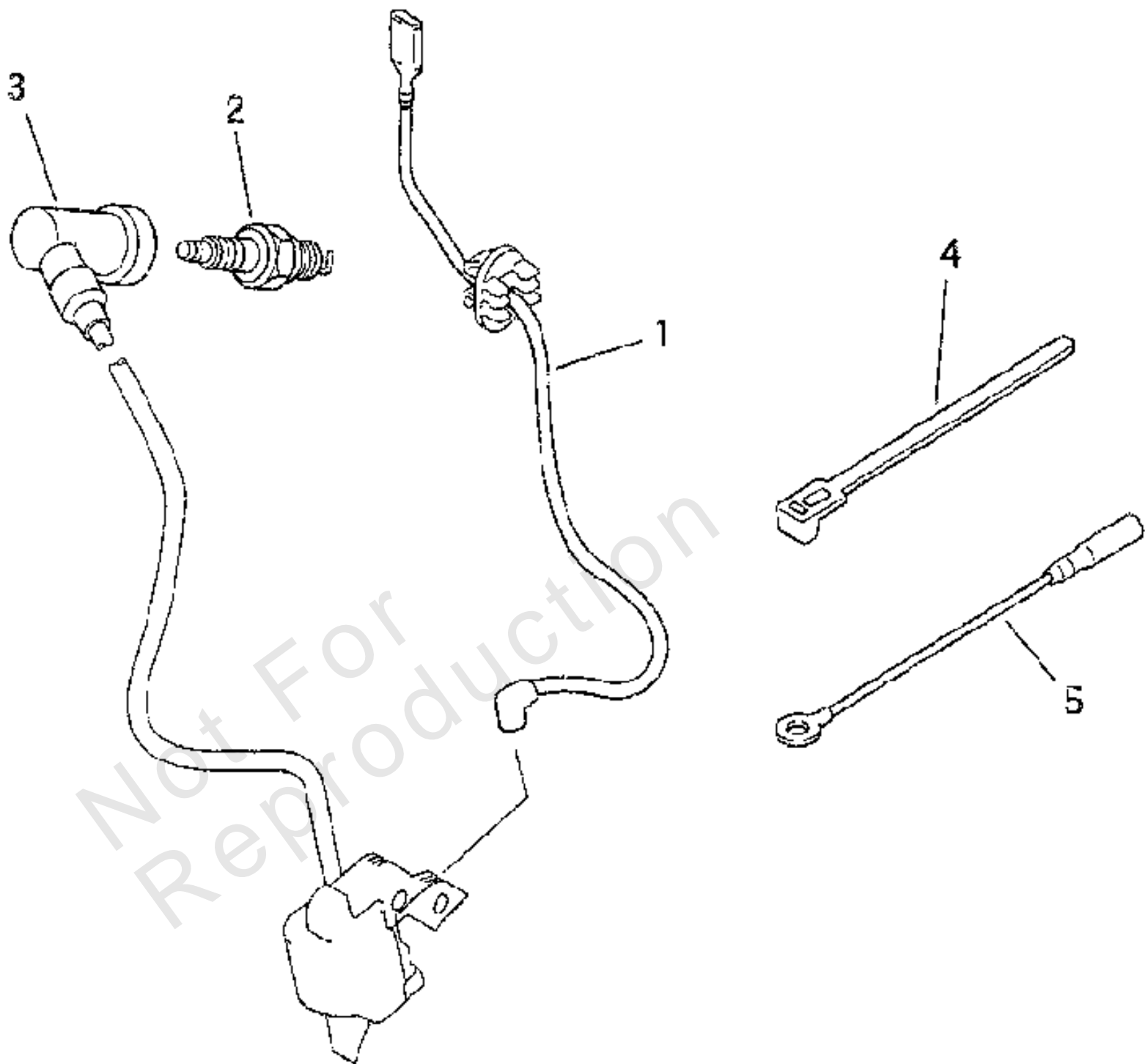
REF NO	PART NO	QTY	DESCRIPTION
1	187461GS	1	SET, GSKT -(Includes items 2-6)
2	187429GS	1	GSKT, HEAD
3	187472GS	1	GSKT, VALVE CVR
4	187479GS	1	GSKT, CRANKCASE CVR
5	187504GS	3	GSKT, CARB
6	187451GS	1	GSKT, MFFLR

Not For
Reproduction

Lead Wires

Note: Unless noted otherwise, use the standard torque specifications

Mfg. No: 030225-0



Lead Wires

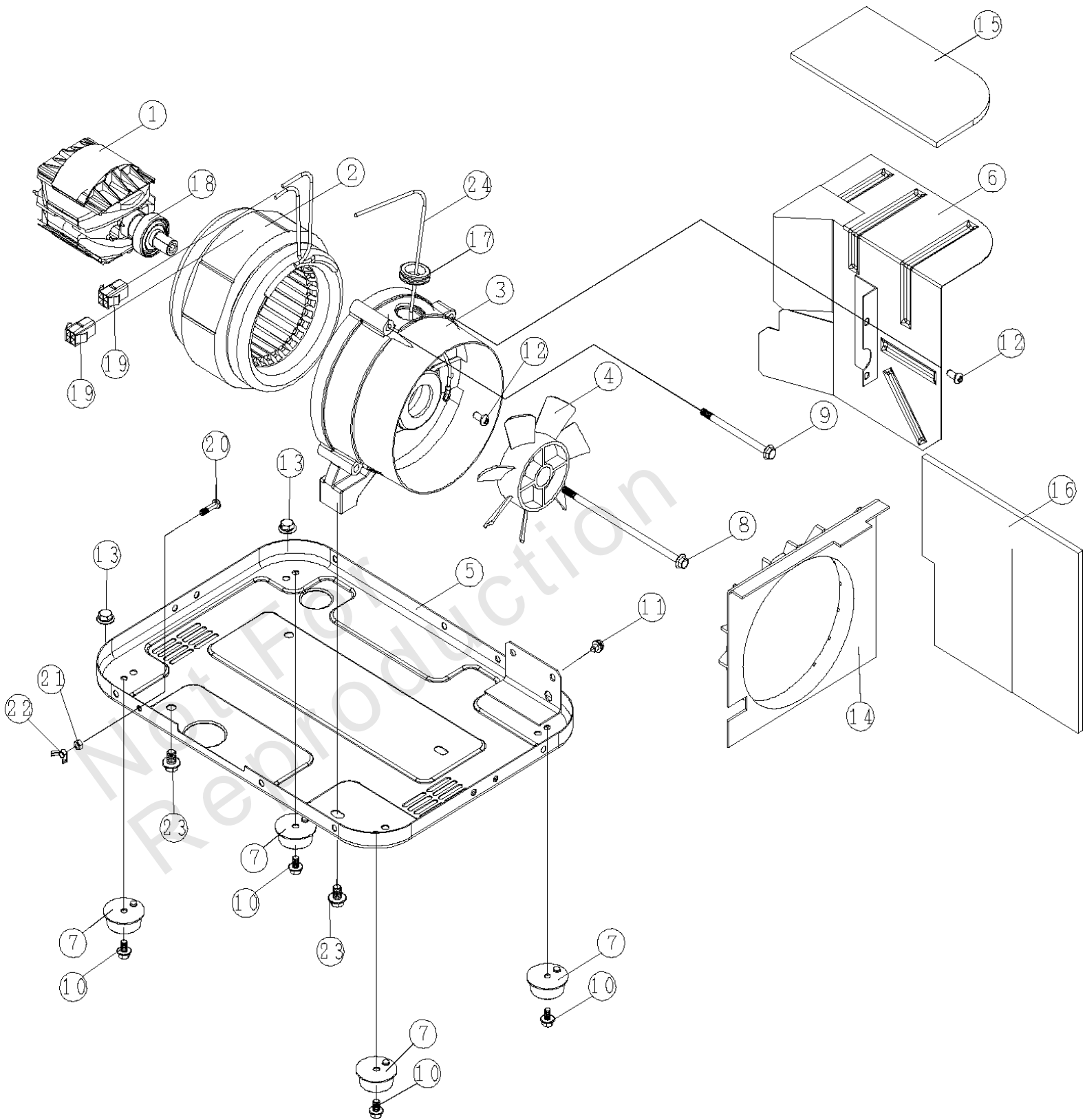
REF NO	PART NO	QTY	DESCRIPTION
1	187571GS	1	WIRE, LEAD
2	187572GS	1	PLUG, SPARK
3	187573GS	1	CAP, PLUG
4	187574GS	1	TIEWRAP, LEAD WIRE
5	187575GS	1	WIRE, LEAD

Not For
Reproduction

Main Unit

Note: Unless noted otherwise, use the standard torque specifications

Mfg. No: 030225-0



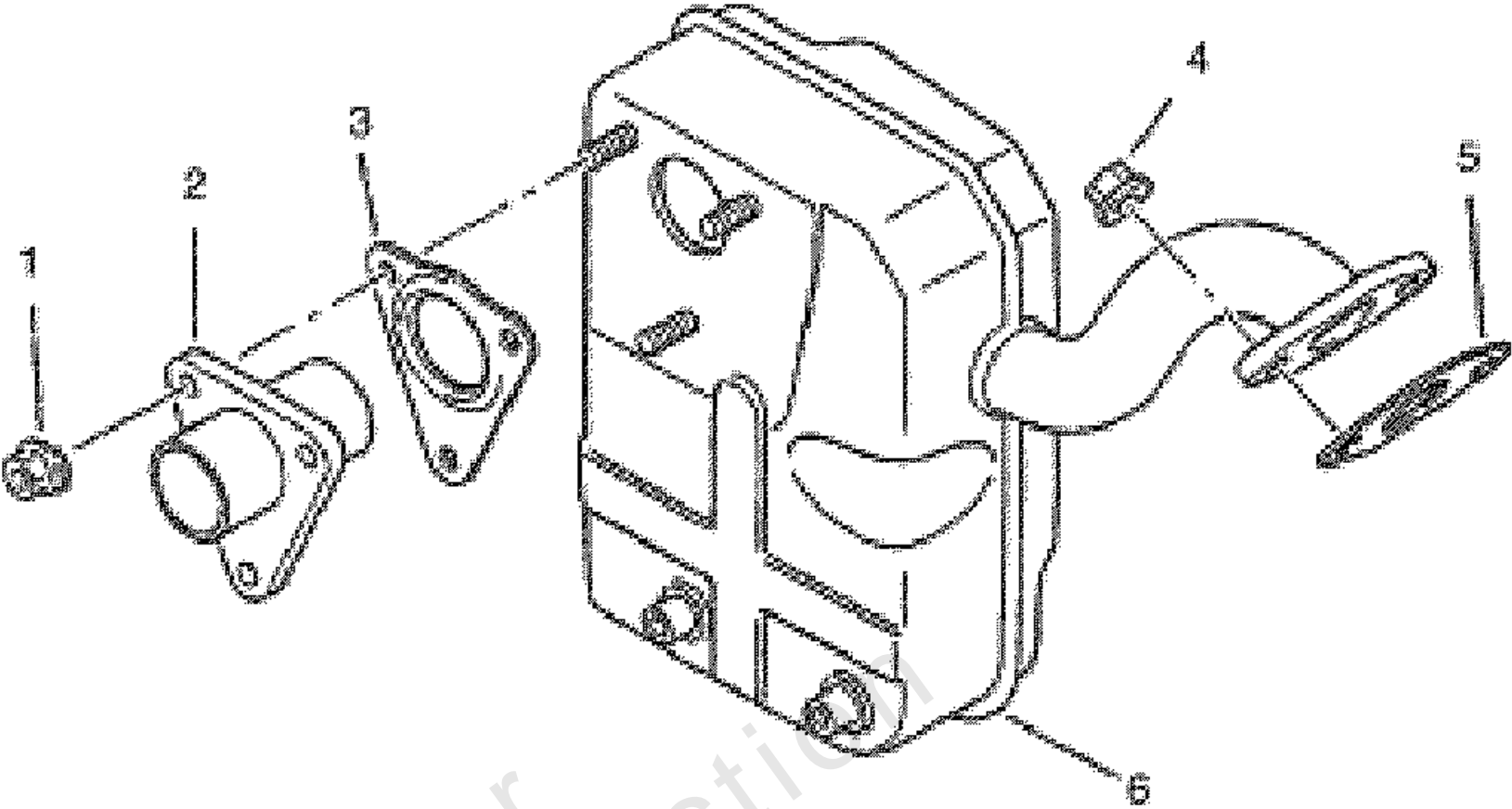
Main Unit

REF NO	PART NO	QTY	DESCRIPTION
0	187377GS	1	ENGINE GM82PN-801 -(NOT SHOWN)
1	102785GS	1	ROTOR ASSY
2	103164GS	1	STATOR ASSY
3	187381GS	1	BEARING CARRIER
4	187382GS	1	COOLING FAN
5	187383GS	1	GENERATOR BASE
6	187384GS	1	MUFFLER SHIELD
7	187385GS	4	VIBRATION MOUNT
8	187386GS	1	ROTOR BOLT (M6X160) WITH FLANGE
9	187389GS	3	STATOR BOLT (M6X90) WITH FLANGE
10	187390GS	2	BOLT, HEX HEAD (M6X10) WITH FLANGE
11	187392GS	1	SCREW, PAN HEAD (M6X10) WITH FLAT, LOCK
12	187399GS	1	SELF TAPPING SCREW (M6X12)
13	187401GS	1	NUT, HEX HEAD (M8X1.25) WITH FLANGE
14	187403GS	1	AIR DUCT
15	187405GS	1	HEAT SHIELD SPONGE #1
16	187407GS	1	HEAT SHIELD SPONGE #2
17	187409GS	1	BUSH, LEAD WIRE (G790B)
18	187411GS	1	BEARING
19	187413GS	2	CONNECTOR
20	187415GS	1	SCREW, PAN HEAD (M5X20)
21	187423GS	2	NUT, HEX HEAD (M5X0.8) WITH FLANGE
22	187424GS	2	NUT, WING (M5X0.8)
23	187427GS	4	BOLT, HEX HEAD (M8X12) WITH FLANGE
24	187430GS	1	LEAD WIRE ASSY GREEN

Muffler

Note: Unless noted otherwise, use the standard torque specifications

Mfg. No: 030225-0



Muffler

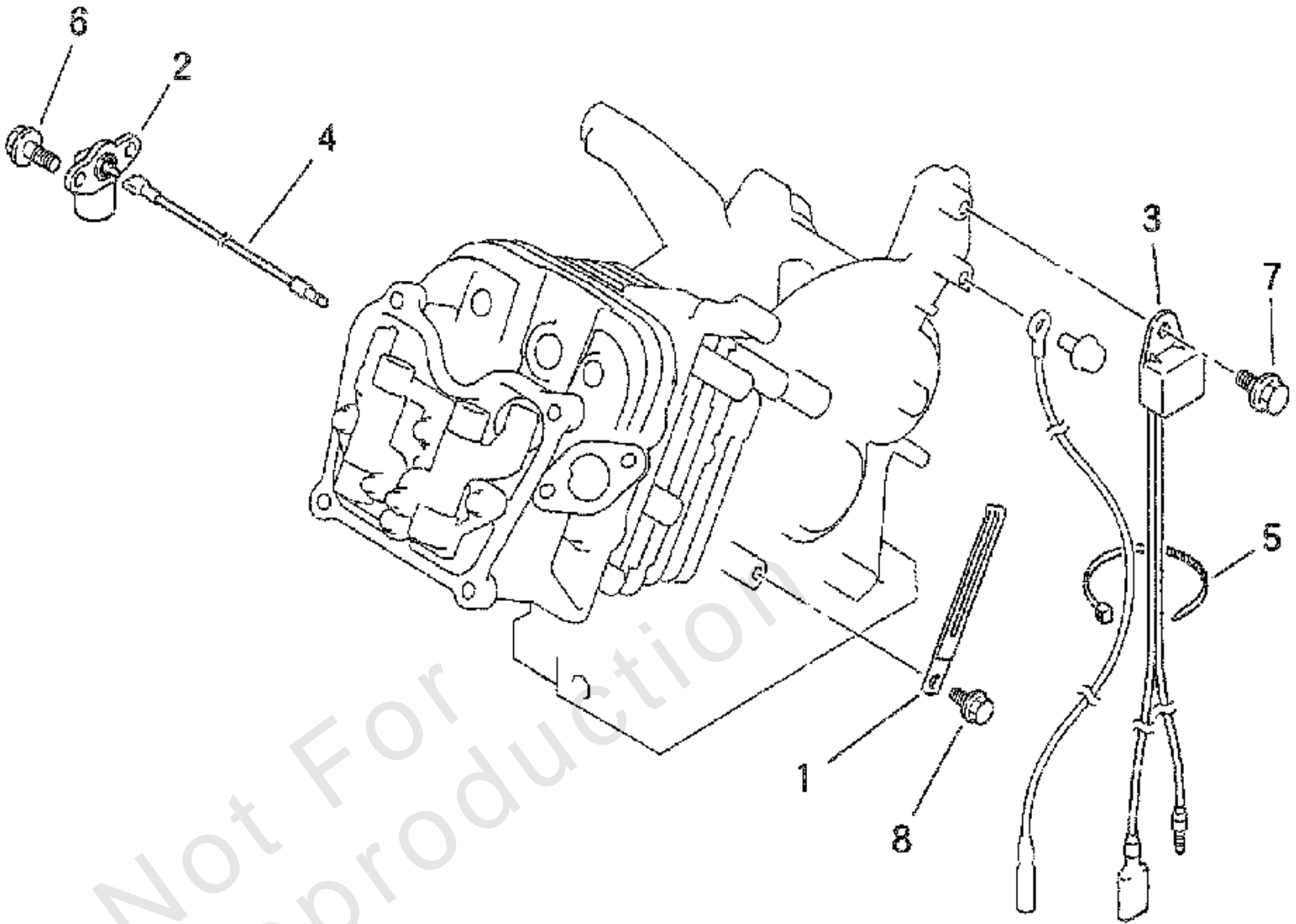
REF NO	PART NO	QTY	DESCRIPTION
1	187449GS	3	NUT, FLNG
2	187445GS	1	PIPE, TAIL
3	187446GS	1	GSKT, MFFLR
4	187455GS	2	NUT, CONICAL
5	187451GS	1	GSKT, MFFLR
6	187444GS	1	MFFLR

Not For
Reproduction

Oil Sensor

Note: Unless noted otherwise, use the standard torque specifications

Mfg. No: 030225-0



Oil Sensor

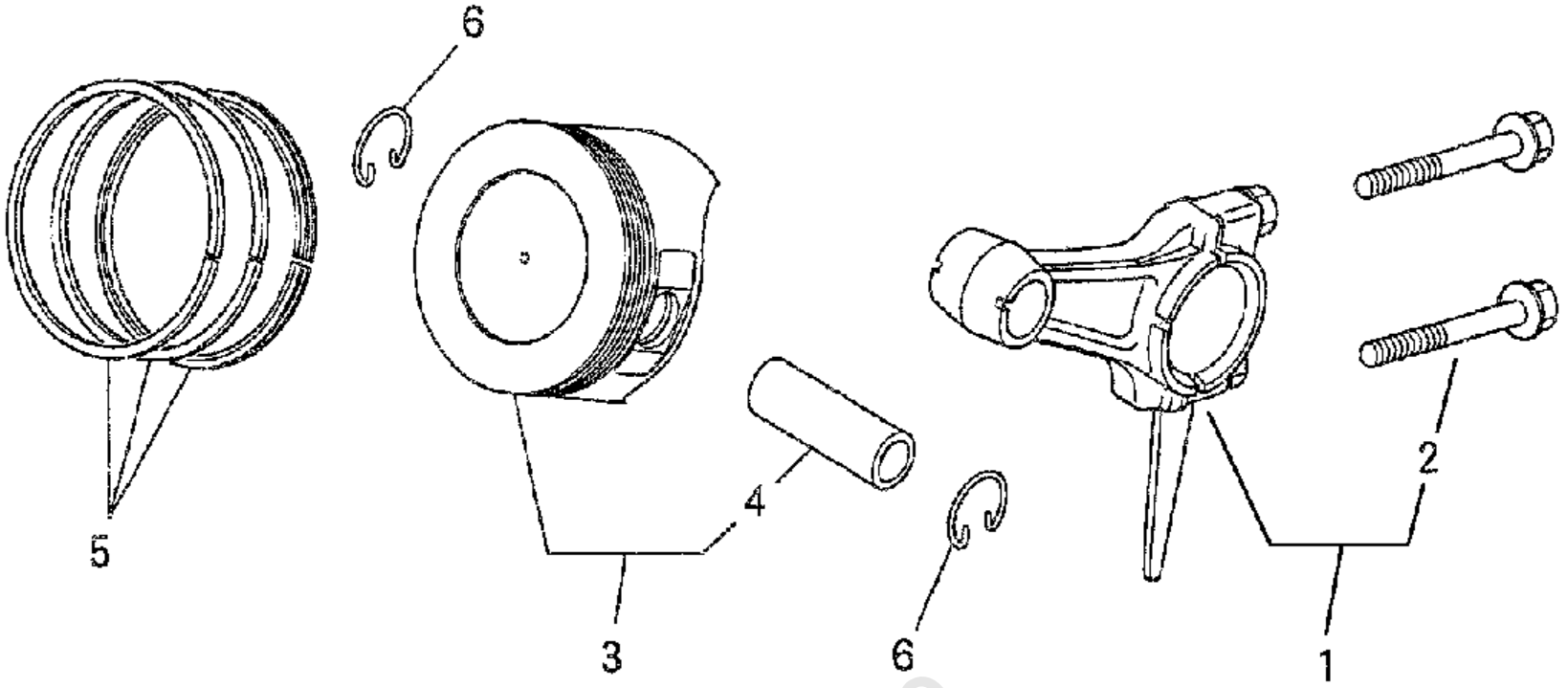
REF NO	PART NO	QTY	DESCRIPTION
1	187563GS	1	CLAMP, OILSNSR
2	187564GS	1	SNSR, OIL
3	187565GS	1	UNIT, OILSNSR
4	187566GS	1	WIRE, LEAD
5	187567GS	1	BAND, OILSNSR
6	187470GS	2	BOLT, VALVE CVR
7	187524GS	1	BOLT, FAN CVR
8	187568GS	1	BOLT, FLNG

Not For
Reproduction

Piston/Rod

Note: Unless noted otherwise, use the standard torque specifications

Mfg. No: 030225-0



Not For
Reproduction

Piston/Rod

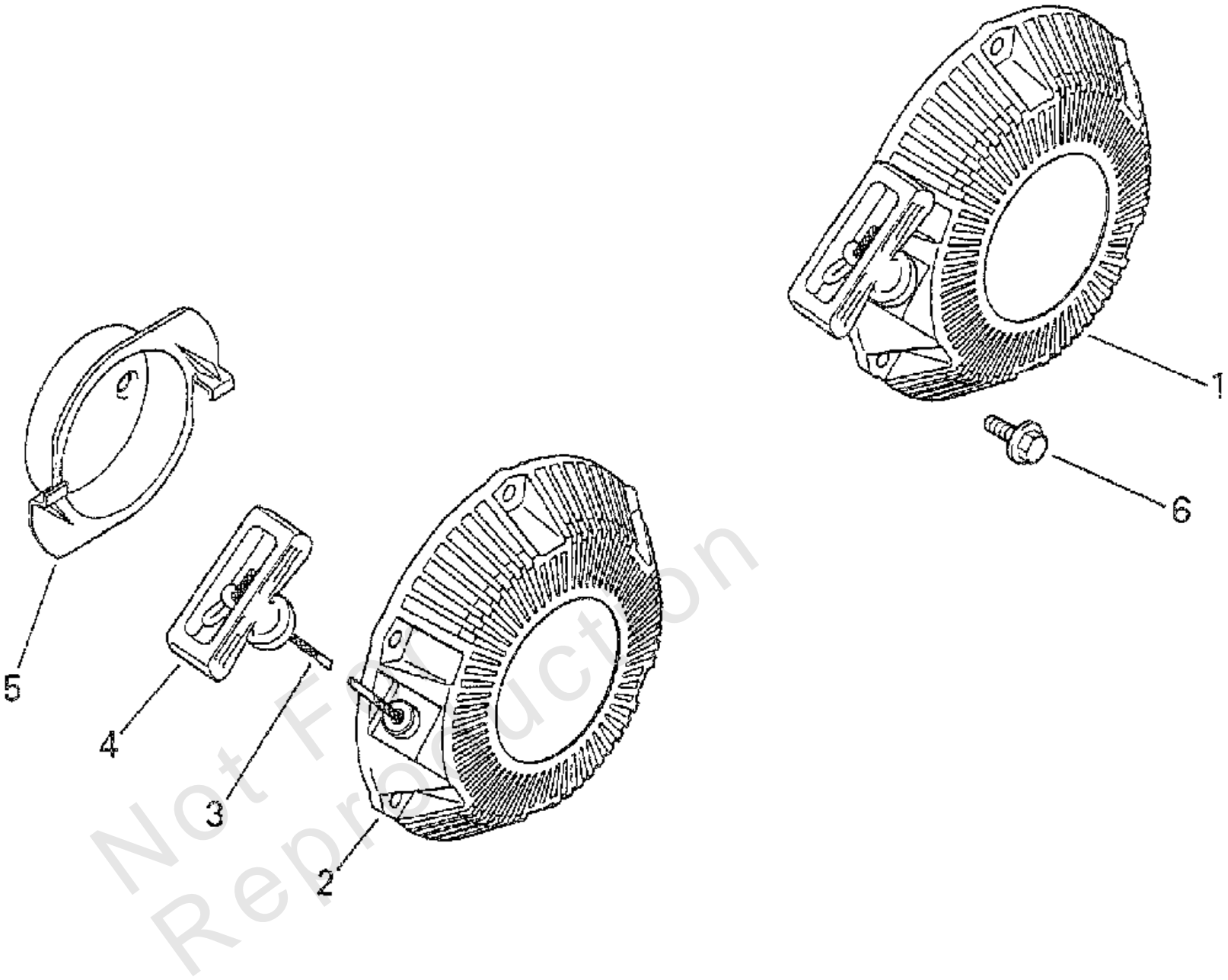
REF NO	PART NO	QTY	DESCRIPTION
1	187526GS	1	ROD, CNNCTNG, STD
1	187527GS	1	ROD, CNNCTNG, US.25
1	187528GS	1	ROD, CNNCTNG, US.50
2	187529GS	2	BOLT, CNNCTNG ROD
3	187530GS	1	ASSY, PSTN, STD
3	187531GS	1	ASSY, PSTN, OS.25
3	187532GS	1	ASSY, PSTN, OS.50
4	187533GS	1	PIN, PISTON
5	187534GS	1	SET, RING, PSTN, STD
5	187535GS	1	SET, RING, PSTN, OS.25
5	187537GS	1	SET, RING, PSTN, OS.50
6	187539GS	2	CLIP, SPRING, PSTN PIN

Not For
Reproduction

Recoil Starter

Note: Unless noted otherwise, use the standard torque specifications

Mfg. No: 030225-0



Recoil Starter

REF NO	PART NO	QTY	DESCRIPTION
1	187557GS	1	ASSY, RECOIL, STRTR
2	187558GS	1	STRTR, RECOIL
3	187559GS	1	ROPE, RECOIL
4	187560GS	1	HNDL, RECOIL
5	187561GS	1	PULLEY, STRTR
6	187562GS	3	BOLT, FLNG

Not For
Reproduction

Hardware Identification & Torque Specifications

Torque Specification Chart								
FOR STANDARD METRIC MACHINE HARDWARE (Tolerance ± 20%)								
Property Class	5.6		8.8		10.9		12.9	
	Class 5.6		Class 8.8		Class 10.9		Class 12.9	
Size Of Hardware	in/lbs	Nm.	in/lbs	Nm.	in/lbs	Nm.	in/lbs	Nm.
	ft/lbs		ft/lbs		ft/lbs		ft/lbs	
M3	5.88	.56	13.44	1.28	19.2	1.80	22.92	2.15
M4	13.44	1.28	30.72	2.90	43.44	4.10	52.56	4.95
M5	26.4	2.50	60.96	5.75	5.97	8.10	7.15	9.7
M6	44.64	4.3	7.3	9.9	10.3	14	12.1	16.5
M7	5.2	7.1	12.1	16.5	16.9	23	19.9	27
M8	7.7	10.5	17.7	24	25	34	29	40
M10	15	21	35	48	50	67	59	81
M12	26	36	61	83	86.2	117	103	140
M14	42	58	101	132	136	185	162	220
M16	64	88	147	200	210	285	250	340
M18	89	121	202	275	287	390	346	470
M20	126	171	290	390	405	550	486	660
M22	169	230	390	530	559	745	656	890
M24	217	295	497	375	708	960	840	1140
M27	320	435	733	995	1032	1400	1239	1680
M30	435	590	995	1350	1401	1900	1681	2280
M33	590	800	1349	1830	1902	2580	2278	3090
M36	759	1030	1740	2360	2441	3310	2935	3980
M39	988	1340	2249	3050	3163	4290	3798	5150

Torque Specification Chart						
FOR STANDARD MACHINE HARDWARE (Tolerance ± 20%)						
Hardware Grade	No Marks		SAE Grade 5		SAE Grade 8	
	SAE Grade 2		SAE Grade 5		SAE Grade 8	
Size Of Hardware	in/lbs	Nm.	in/lbs	Nm.	in/lbs	Nm.
	ft/lbs		ft/lbs		ft/lbs	
8-32	19	2.1	30	3.4	41	4.6
8-36	20	2.3	31	3.5	43	4.9
10-24	27	3.1	43	4.9	60	6.8
10-32	31	3.5	49	5.5	68	7.7
1/4-20	66	7.6	8	10.9	12	16.3
1/4-28	76	8.6	10	13.6	14	19.0
5/16-18	11	15.0	17	23.1	25	34.0
5/16-24	12	16.3	19	25.8	29	34.0
3/8-16	20	27.2	30	40.8	45	61.2
3/8-24	23	31.3	35	47.6	50	68.0
7/16-14	30	40.8	50	68.0	70	95.2
7/16-20	35	47.6	55	74.8	80	108.8
1/2-13	50	68.0	75	102.0	110	149.6
1/2-20	55	74.8	90	122.4	120	163.2
9/16-12	65	88.4	110	149.6	150	204.0
9/16-18	75	102.0	120	163.2	170	231.2
5/8-11	90	122.4	150	204.0	220	299.2
5/8-18	100	136	180	244.8	240	326.4
3/4-10	160	217.6	260	353.6	386	525.0
3/4-16	180	244.8	300	408.0	420	571.2
7/8-9	140	190.4	400	544.0	600	816.0
7/8-14	155	210.8	440	598.4	660	897.6
1-8	220	299.2	580	788.8	900	1,244.0
1-12	240	326.4	640	870.4	1,000	1,360.0

The guides and ruler furnished below are designed to help you select the appropriate hardware.

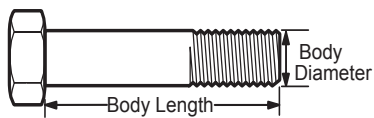


Nut, M8

Thread Diameter (mm)

Inside Diameter (in) Threads per inch

Nut, 1/2-16



Screw, M8- 1.25 x 25

Thread Diameter (mm) Distance between threads (mm) Body Length (mm)

Body Diameter Threads per inch Body Length (in)

Screw, 1/2- 16 x 2



Standard Hardware Sizing

When a washer or nut is identified as 1/2" (M8), this is the *Nominal size*, meaning the *inside diameter* is 1/2 inch (8mm metric thread diameter); if a second number is present it represents the *threads per inch* (distance between threads).

When bolt or capscrew is identified as 1/2 - 16 x 2" (M8 - 1.25 x 50), this means the *Nominal size*, or body diameter is 1/2 inch (8mm metric thread diameter), the second number, 16, represents the *threads per inch*, (*distance between threads*). The final number is the body length of the bolt or screw, 2 inches (50mm).

NOTES

- These torque values are to be used for all hardware excluding: locknuts, self-tapping screws, thread forming screws, sheet metal screws and socket head setscrews.
- Recommended seating torque values for locknuts:
 - for prevailing torque locknuts - use 65% of grade 5 torques.
 - for flange whizlock nuts and screws - use 135% of grade 5 torques.
- Unless otherwise noted on assembly drawings, all torque values must meet this specification.

Common Hardware Types

Hex Head Capscrew



Washer



Carriage Bolt



Hex Nut

Wrench & Fastener Size Guide

1/4" Bolt or Nut Wrench—7/16"	5/16" Bolt or Nut Wrench—1/2"	3/8" Bolt or Nut Wrench—9/16"	7/16" Bolt or Nut Wrench (Bolt)—5/8" Wrench (Nut)—11/16"	1/2" Bolt or Nut Wrench—3/4"
M6 Bolt or Nut Wrench—10mm	M8 Bolt or Nut Wrench—13mm	M10 Bolt or Nut Wrench—17mm	M12 Bolt or Nut Wrench—19mm	M14 Bolt or Nut Wrench—22mm

